

# *Fadlan Dayactir...*



Mercy Housing

Somali

## Hordhac iyo Mahadnaq

Si kireystaha u wanaagsanaado waa inuu u sheego wixii guriga ka hallaabo maamulayaasha. sidoo kale, milkiilaha gurigana waa inuu fahmo dadka deggan guriga wixii dayactir ah oo ay u baahan yihiin. Barnaamijka guriyeynta qoxootiga wuxuu soo diyaariyey qoraalkan ah dayactirka guryaha oo caawinayo qoxootiga iyo dhammaan kireystayaasha kale ee aqoontooda ku hadalka Ingiriiska ay kooban tahay si ay uga dalbadaan dayactir maamulayaasha guryaha

Ku talagalkeenna waa inaan keeno tusmadan dayactirka si loogu fududeeyo hawl-wadeennada la shaqeynayo dadka imaanayo waddanka. Waxaa intaas dheer in loo gudbiyo macluumaadkan hay'adaha dib u dejinta qoxootiga, ururrada ka wada shaqeeya caawinta "mutual assistance association" iyo dhammaan kuwa gargaarka, waxaan sidoo kale in macluumaadkan laga ag heli karo maamulayaasha guryaha "property managers".

Tusahan waxaa si bilaash ah (lacag la'aan) loogala soo bixi karaa cinwaankan [www.refugeehouse.org](http://www.refugeehouse.org) ayadoo qeybta daabacaadaha.

Howl-wadeennada ugu muhiimsan ee gacanta ka geystay mashruucan waxay kala yihiin: Carol Kimball, Farshaxanka; Scott Robbins, Maamulaha Barnaamijka Guriyeynta Qoxootiga; David Still, Horjoogaha Dayactirka ee Mercy Housing; Jennifer Gueddiche, Agaasimaha barnaamijka Centerka Jaalliyadda Afrikanka; iyo Joseph Thompson, Agaasime Goboleedka Howlaha guriyeynta Mercy Housing.

Waxaan si weyn ugu mahadnaqeynaa adeeggan fasireed oo ay diyaarisay Translators Bank of the Spring Institute (hay'adda wax turjunta) iyo sidoo kale taageerada Mr. Rasulo Rasulo ee dhameystirka ku fasiridda Maay Maay-ga tusmadan.

Haddii aad dooneyso warbixin dheeraad ah oo ku saabsan barnaamijka guriyeynta qoxootiga, fadlan la xiriir Mercy Housing, Inc., 1999, Broadway, Suite 1000, Denver, CO 80202, phone 303-830-3300.

Dokumentigan waxaa soo saaray caawinta farsameed ee mashruuca adeegga guriyeynta qoxootiga. Deeqda numberkeedu yahay 90RB0015. Deeqdan ayaa la guddoonsiiyey qolada guriyeynta mercy, Inc., oo ay guddoonsiiyeen Xafiiska Dib u dejinta qoxootiga (ORR), wasaaradda caafimaadka mareykanka iyo waaxda u adeegga bulshada. Fikradahaan saas muhiim uguma sii aha iney saameeyso aragtida xafiiska dib u dejinta qoxootiga (ORR)



Mercy Housing

# Wixii dhaqsi loo sheegayo!!!



**Sparks**  
**Dab ama**  
**fallaaro qarax**  
**Wac 911!**



**Smoke**  
**Qaac**  
**ama qiiq**  
**Wac 911!**



**Fire**  
**Dab**  
**Wac 911!**

---

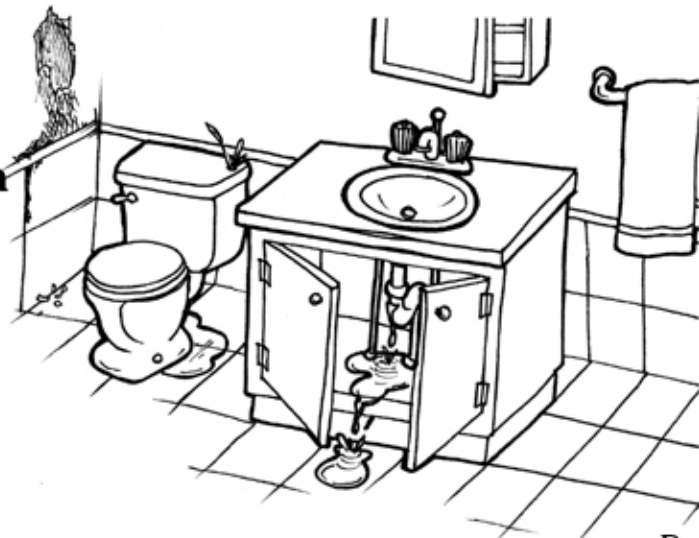
**Water stain**  
**Wasaq biyo sababeen**



**Leak**  
**Meel tifqeyso,**  
**daadaneyso**

**Wac maamulaha**  
**gurigaada !**

wac: \_\_\_\_\_

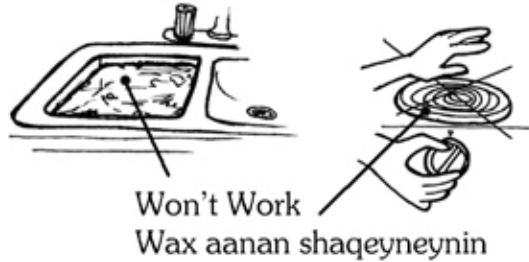




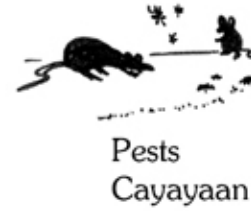
Water stain  
Wasaq biyo  
sababeen



Too cold  
Aad u  
qabow

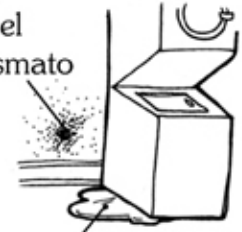


Won't Work  
Wax aanan shaqeyneynin



Pests  
Cayayaan

Mold  
Bolol ama  
wasaq meel  
ku sameysmato



Leak  
Meel tifqeyso

Ice  
Baraf (biyo  
la fariisiyey)



Too hot  
Aad u kulul



Sparks  
Dab ama  
fallaro qarax  
Wac 911!



Smoke  
Qaac ama qiiq  
Wac 911!

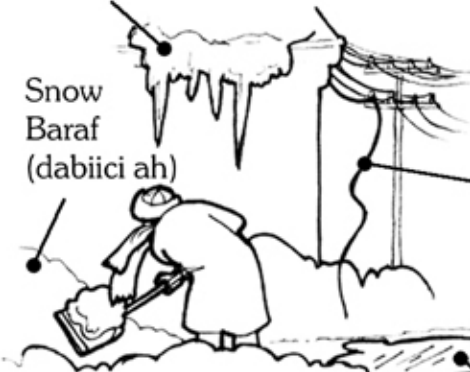


Fire  
Dab  
Wac 911!

Dirty  
Wasaq



Snow  
Baraf  
(dabiici ah)



Broken  
Wire  
Fiilo go'an  
Wac 911!

Ice  
Baraf (biyo la  
fariisiyey)



Bad smell  
Ur xun



Noisy  
Buuq ama  
qeylo leh

Missing  
Wax maqan



Broken  
Jaban



Stain  
Wasaq meel  
ku dheggan  
(sirjin)



Hole  
Duleel  
ama god



# Codsi Dayactir

Nom du résident: \_\_\_\_\_

Maintenance Request #: \_\_\_\_\_

Date: \_\_\_\_\_ Appartement: \_\_\_\_\_ Téléphone: \_\_\_\_\_ **Somali**

## Bathroom Musqul

Bad smell  
Ur xun

Broken  
Jaban

Dirty  
Wasaq

Hole  
Duleel ama god

Leak  
Meel tifqeyso

Missing  
Wax maqan

Mold  
Bolol ama wasaq  
meel ku sameysmato

Noisy  
Buuq ama qeylo leh

Stain  
Wasaq meel ku  
dheggan (sirjin)

Water stain  
Wasaq biyo sababeen

Won't work  
Wax aanan shaqeyneynin

1 Fan  
Marwaxad

2 Light  
Nal

3 Mirror  
Mirayad

4 Cabinet  
Armaajo

5 Rod  
Birta daaha  
musqusha

6 Shower  
Tubada qabeys

7 Sink  
Godka  
weji-dhaqa

8 Faucet  
Rubuneetada

9 Toilet  
Musqusha  
fadhigeeda

10 Door  
Albaab

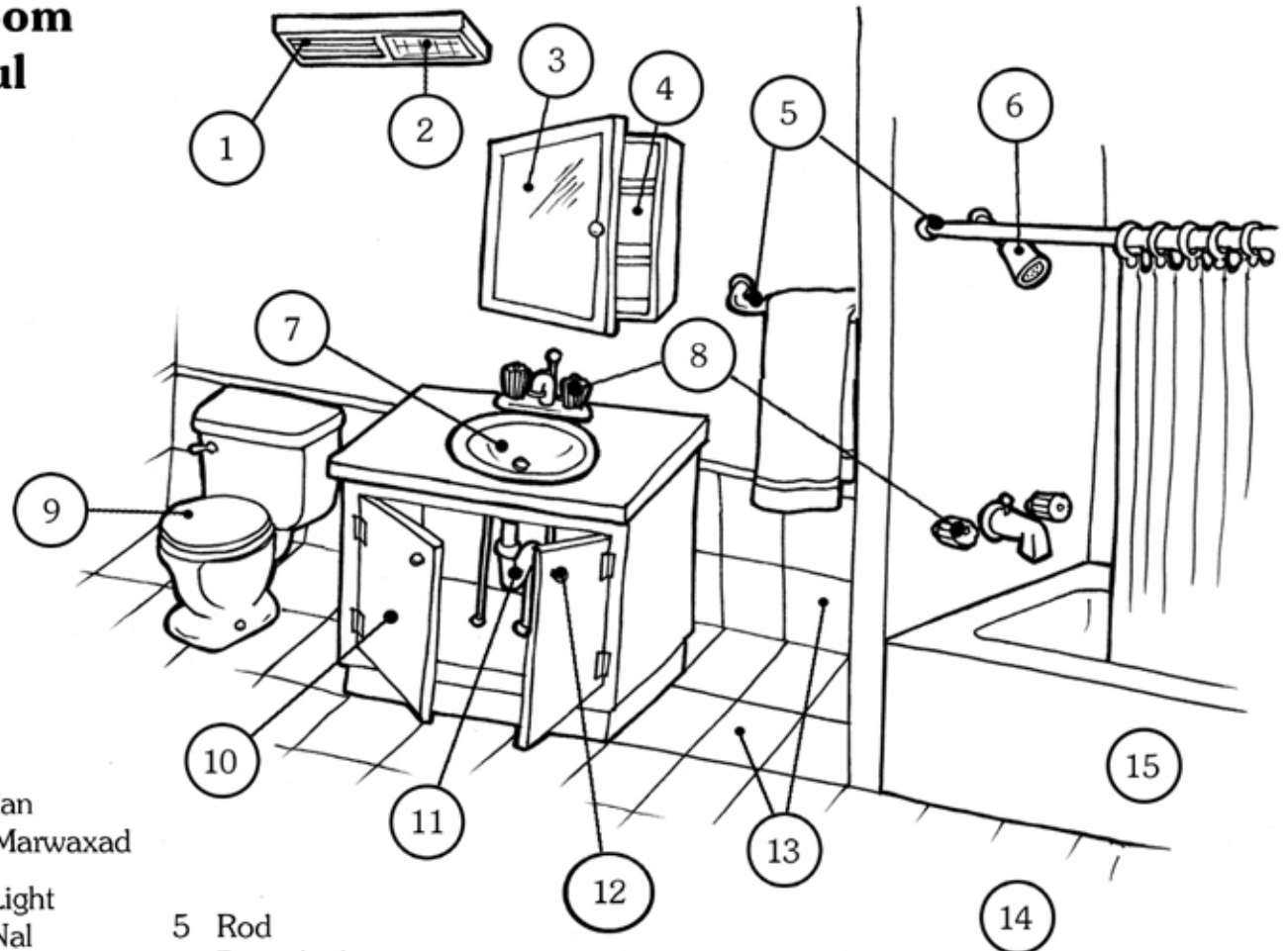
11 Pipe  
Tubo

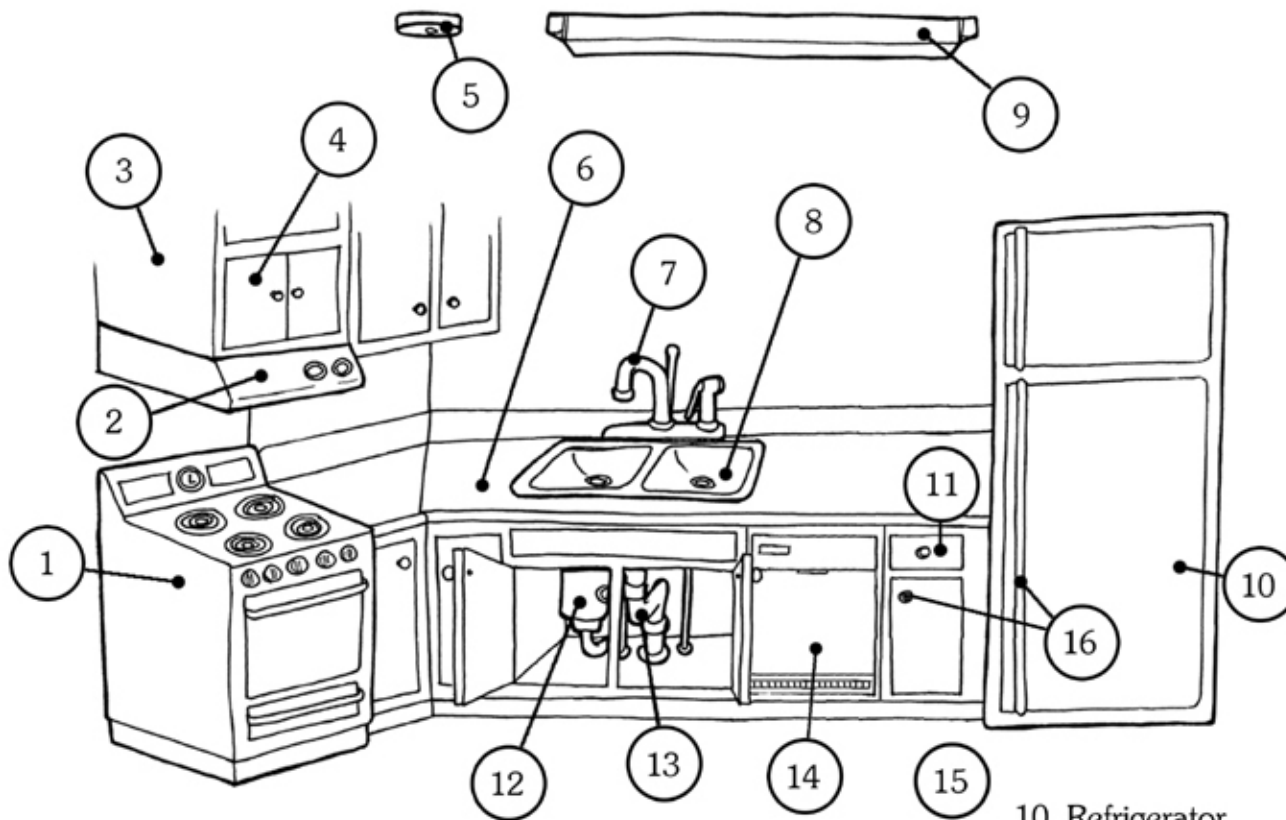
12 Handle  
Gacanka

13 Tile  
Mutuneel

14 Floor  
Shamiitada  
ama dhulka

15 Tub  
Godka qabeyska





## Kitchen Jiko

Leak  
Meel tifqeyso

Missing  
Wax maqan

Mold  
Bolol ama  
wasaq meel  
ku sameysmato

Bad smell  
Ur xun

Broken  
Jaban

Noisy  
Buuq ama  
qeylo leh

Dirty  
Wasaq

Stain  
Wasaq meel ku  
dheggan (sirjin)

Hole  
Duleel ama  
god

Water stain  
Wasaq biyo  
sababeen

1 Stove  
Burjiko  
2 Exhaust fan  
Marwaxadda  
aariyada bixiso  
3 Cabinet  
Armaajo

4 Door  
Albaab  
5 Smoke alarm  
Aaladda dabka  
ka digto  
6 Countertop  
Miiska jikada

7 Faucet  
Rubinetada  
jikada  
8 Sink  
Godka alaab  
dhaqa  
9 Light  
Nal

10 Refrigerator  
Faranjeer  
11 Drawer  
Qaanad  
ama jijjiid  
12 Disposal  
Tuurid, xoorid  
ama wax mar uun  
la isticmaalo

13 Pipe  
Tubo  
14 Dishwasher  
Mashiinka  
alaab-dhaqa  
15 Floor  
Shamiitada  
ama dhulka

16 Handle  
Gacanka

**Codsi  
Dayactir**

Nom du résident: \_\_\_\_\_

Maintenance Request #:

Date: \_\_\_\_\_ Appartement: \_\_\_\_\_ Téléphone: \_\_\_\_\_

**Somali**

Bad smell  
Ur xun

Broken  
Jaban

Dirty  
Wasaq

Hole  
Duleel ama god

Leak  
Meel tifqeyso

Missing  
Wax maqan

Mold  
Bolol ama wasaq  
meel ku sameysmato

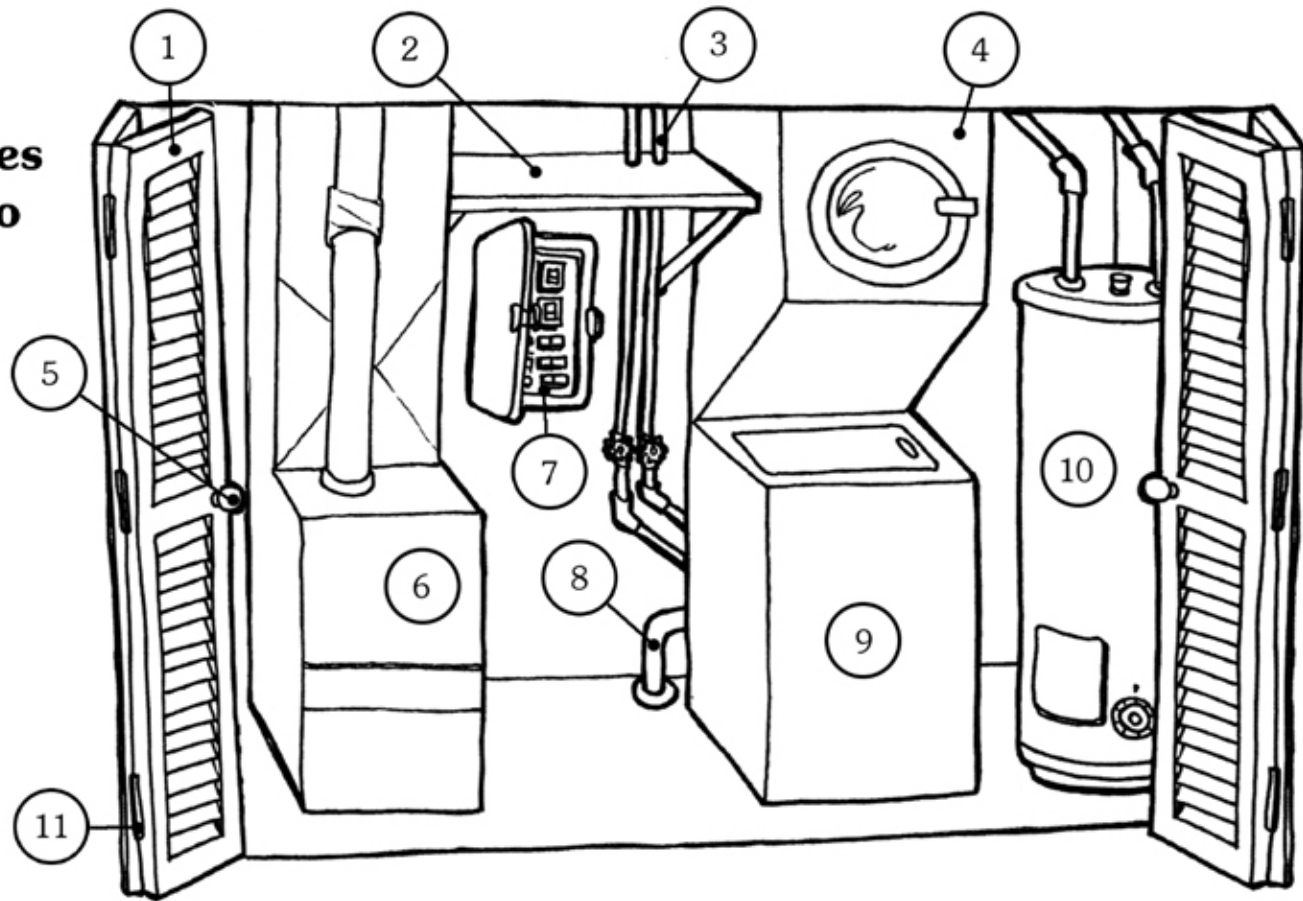
Noisy  
Buuq ama qeylo leh

Stain  
Wasaq meel ku  
dheggan (sirjin)

Water stain  
Wasaq biyo sababeen

Won't work  
Wax aanan shaqeyneynin

## Utilities Alaabo



1 Door  
Albaab

2 Shelf  
Iska-faalle,  
meelaha wax  
la saarto

3 Pipe  
Tubo

4 Dryer  
Qallajiye

5 Handle  
Gacanka

6 Heater  
Kululeeye

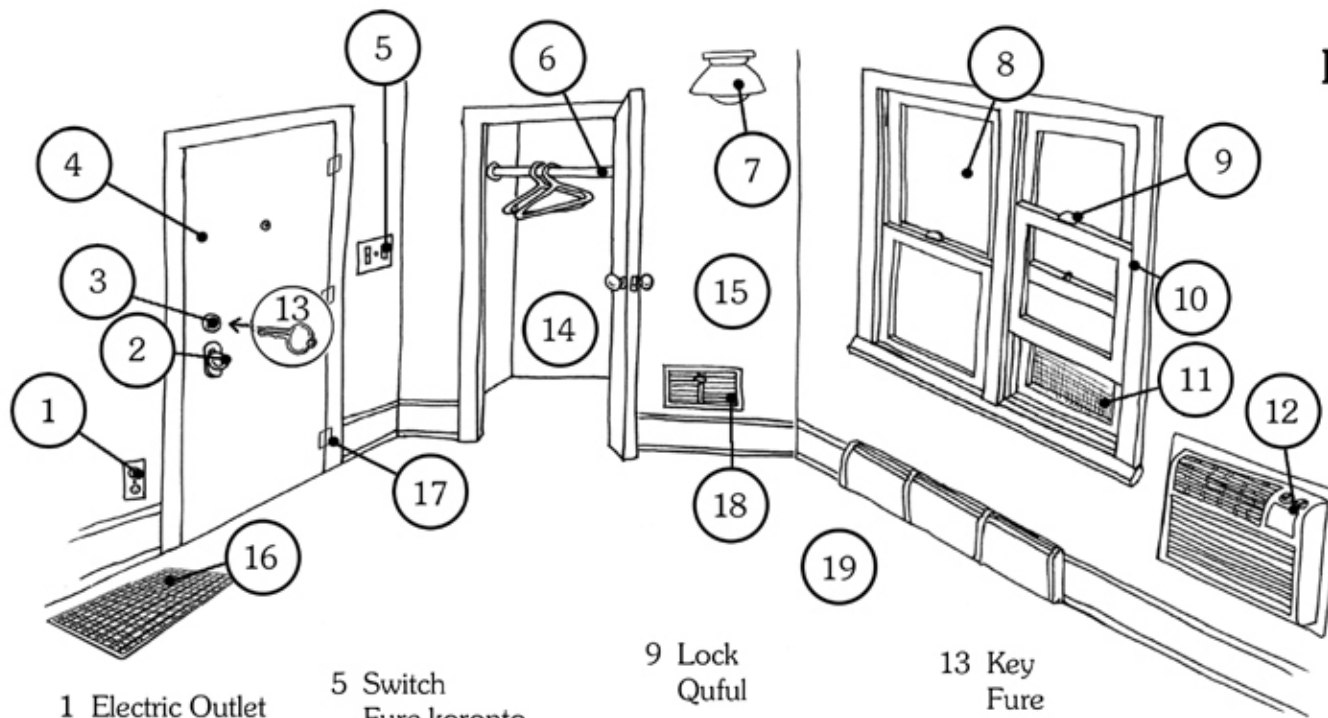
7 Electric Panel  
Godka korontada  
laga xukumu

8 Hose  
Tubada dheer  
ee waraabinta

9 Washer  
Dhaqdada

10 Water Heater  
Biyo kululeeye

11 Hinge  
Faseexad, birta  
albaabka lagu xiro



## Living Areas Meelaha fadhiga

1 Electric Outlet Baresada korontada	5 Switch Fure koronto laga daaro	9 Lock Quful	13 Key Fure	Bad smell Ur xun	Leak Meel tifqeyso
2 Handle Gacan	6 Rod Birta daaha	10 Window Dariishad	14 Closet Armaajo (midda derbiga ku dhex dhisan)	Broken Jaban	Missing Wax maqan
3 Lock Quful	7 Light Nal	11 Screen Shabaqa dariishadda	15 Wall derbi	Dirty Wasaq	Mold Bolol ama wasaq meel ku sameysmato
4 Door Albaab	8 Glass Miraayad	12 Heater/Cooler Kululeeye /qaboojiye	16 Grille Marwaxad qaboojin ama kululeeye	Hole Duleel ama god	Noisy Buuq ama qeylo leh
			17 Hinge Faseexad birta albaabka lagu xiro		Stain Wasaq meel ku dheggan (sirjin)
			18 Grille Marwaxad qaboojin ama kululeeye		Water stain Wasaq biyo sababeen
			19 Carpet/Floor Katiifad/shamiito		Won't work Wax aanan shaqeyneynin

**Codsi**  
**Dayactir**

Magaca dadka  
deggan guriga: \_\_\_\_\_

Taariikhda: \_\_\_\_\_ Qeybta (aad  
deggan tihiin) \_\_\_\_\_

Telefoonka: \_\_\_\_\_ **Somali**

Maintenance Request #:  
\_\_\_\_\_



Bad smell  
Ur xun

Broken  
Jaban

Dirty  
Wasaq

Hole  
Duleel ama god

Leak  
Meel tifqeyso

Missing  
Wax maqan

Mold  
Bolol ama wasaq  
meel ku sameysmato

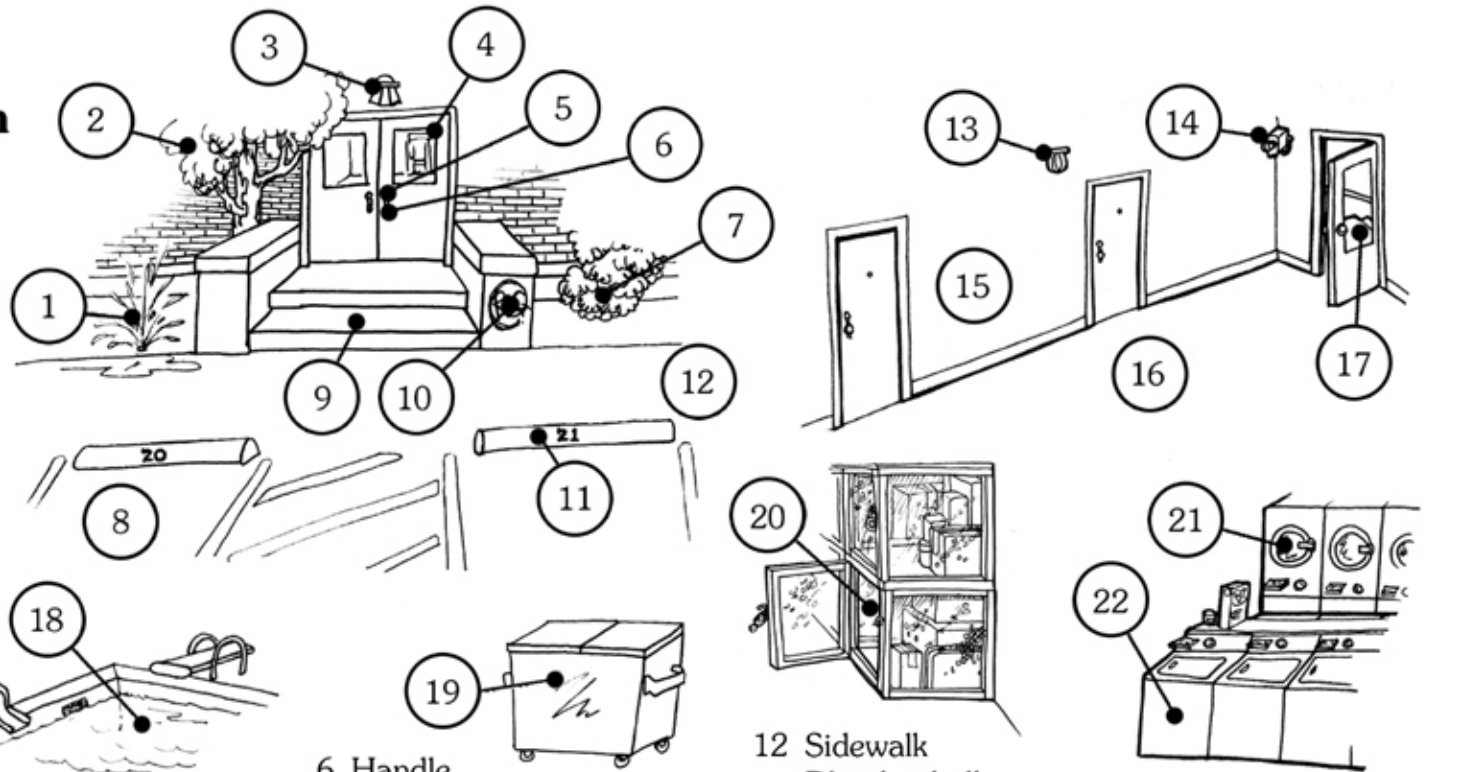
Noisy  
Buuq ama qeylo leh

Stain  
Wasaq meel ku  
dheggan (sirjin)

Water stain  
Wasaq biyo sababeen

Won't work  
Wax aanan shaqeyneynin

## Common Areas Meelaha Guud



1 Sprinkler  
Rusheeye, tubada  
biyaha tuurto

2 Tree  
Geed

3 Light  
Nal

4 Door  
Albaab

5 Lock  
Quful

6 Handle  
Gacanka

7 Plants  
Dhir

8 Pavement  
Maarsho biyeedi ama  
meesha lagu lugeeyo

9 Stair  
Jaranjar

10 Graffiti  
Darbi ku feegaar ama  
wax ku qoris

11 Parking dividers  
Diilmaha barkinka qeybiyo

12 Sidewalk  
Dhanka dadka  
ku socdaan

13 Light  
Nal

14 Security camera  
Kamerada  
nabad-ilaalinta

15 Hallway  
Jidka dhexe oo  
qolalka u dhexeeyo

16 Carpet  
Katiifad ama karbet

17 Stair  
Jaranjaro

18 Swimming pool  
Barkadda lagu  
dabaasho

19 Dumpster  
Qashin qubka

20 Storage Unit  
Baqaarka alaabta

21 Dryer  
Qallajiso

22 Washer  
Dhaqdo