

Oodsi hegeejis



Mercy Housing

Maay Maay

Ijaarley fayle may ka nagad kartee inaa si fayle inka sheegto walaagi ka halaawsinyo mininyaalki dadka mas'uulka ka eyan. Sidoo kale nan fayle oo guri laka ijaarid kare may ka nagad kartee in adi ogaato dadka mininka kiinka ijaarideen baahida uyo inqawan dayactir. The Refugee Housing Program may alifeena qaabkun faahfaahsin ee dayactirka minimo si unku fududaato qaxootiga iyo ijaarleyta kale af ingiriiska dhib ke eh sidii uyo in weydiisid lahaayeen dayactirka minimoojo dadka mas'uulka eyan.

Danta unu ka leena may etaa, in unu siino qaabkan dayactirka eh dadka shuqulka qawadaaw oo ila shaqeeyaaw dadka dib u dejinta la un suubi. May siyoowka akhbaartan la siyow hay'adyaalka dib-u-dejinta qaxootiga, hay'adyaalka sida wadajirka wal in kaalmayan iyo hay'adyaalka kale oo howlo-qawadaayan dheera, may sidoo kale rajeeyanee in akhbaartun siino dadka mininyaalka mas'uulka ka eyan.

Qaabkan may ka hal kartee adoo walba andhiibne www.refugeehouse.org adoo taabidaaso Resources oona ungodubaaso qeybta Publications.

Dadka unka muhimsin oo iska kaalmooyisiden mashruucan diyaarintis may eyaana: Carol Kimball, fanaan; Scott Robbins, Madaga, Refugee Housing Program; David Still, Horgoogagi dayactirka ee Mercy Housing; Jennifer Gueddiche, Agaasimaha barnaamijka ee African Community Center; iyo Joseph Thompson; Agaasimo goboleedka howlaha guryaha ee Mercy Housing.

May eed inka mahad nagaane howlaha turjumida ee qawaden Interpreter Network of Colorado of Spring Institute iyo sidoo kale ga'anti Rasulo Rasulo ka jeysidi dhamistirka ku turjumida qaabkan af Maay Maayka.

Wihii akhbaar dheeraad eh oo anka baahitan Refugee Housing Program, fadlan may kala hariirasaana Mercy Housing Inc., 1999 Broadway, Suite 1000, Denver, CO 80202, telefoonka 303-830-3300.

Dokumentigan ey soo saarey Technical Assistance for Refugee Housing Services Project, deeqda lambarsho eh 90RB0015. Deeqdan ay la siyey Mercy Housing Inc. eyna siyeey Office of Refugee Resettlement (ORR), U.S. Department of Health and Human Services. Aragtida inta kijirto qasab ma eh ing iska mid nagadan fikirka ORR.



Mercy Housing

Report Immediately!



Sparks
Hurr/qarax
call 911!



Smoke
Uun
Call 911!



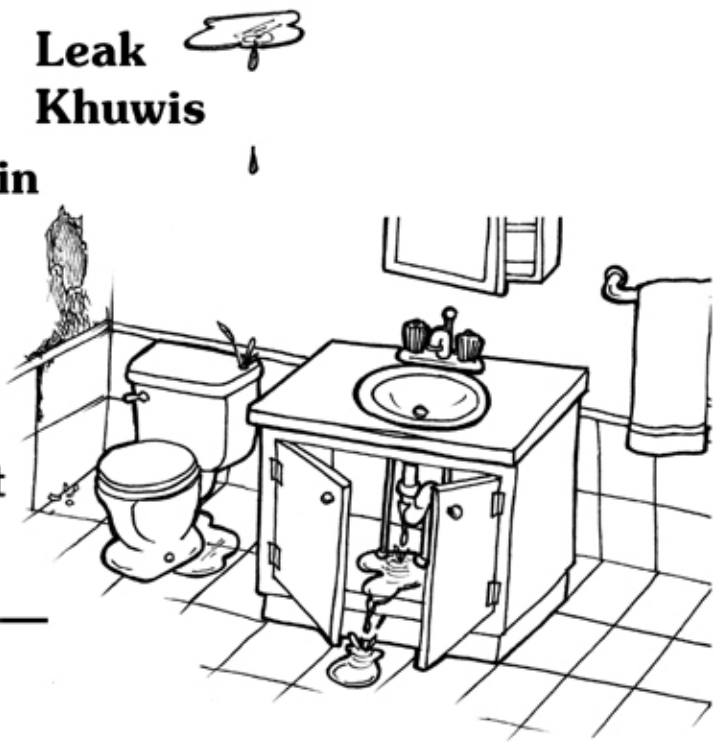
Fire
Dab
Call 911!

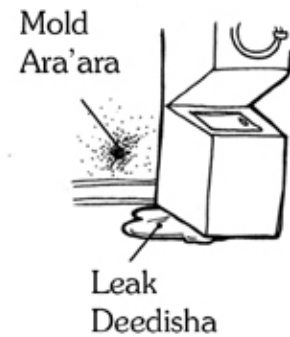
Leak 
Khuwis

Water stain
Biyo
mirirkod

Call your
Apartment
Manager!

call: _____





Dirty
Miski wasaqi ama
warti wasaq, ee



Ice
Baaraf

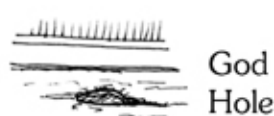


Broken
Wire
Huunya
Filadha
call 911!

Snow
Baaraf



Ice
Baaraf



Repair Request

Resident's name: _____

Maintenance Request #: _____

Date: _____ Unit: _____ Phone: _____

Maay Maay

Bad Smell
Uur badan

Broken
Huunya jebenya

Dirty
Miski wasaqi ama
warti wasaq, ee

Hole
God

Leak
Deedisha

Missing
Maqanya

Mold
Ara'ara

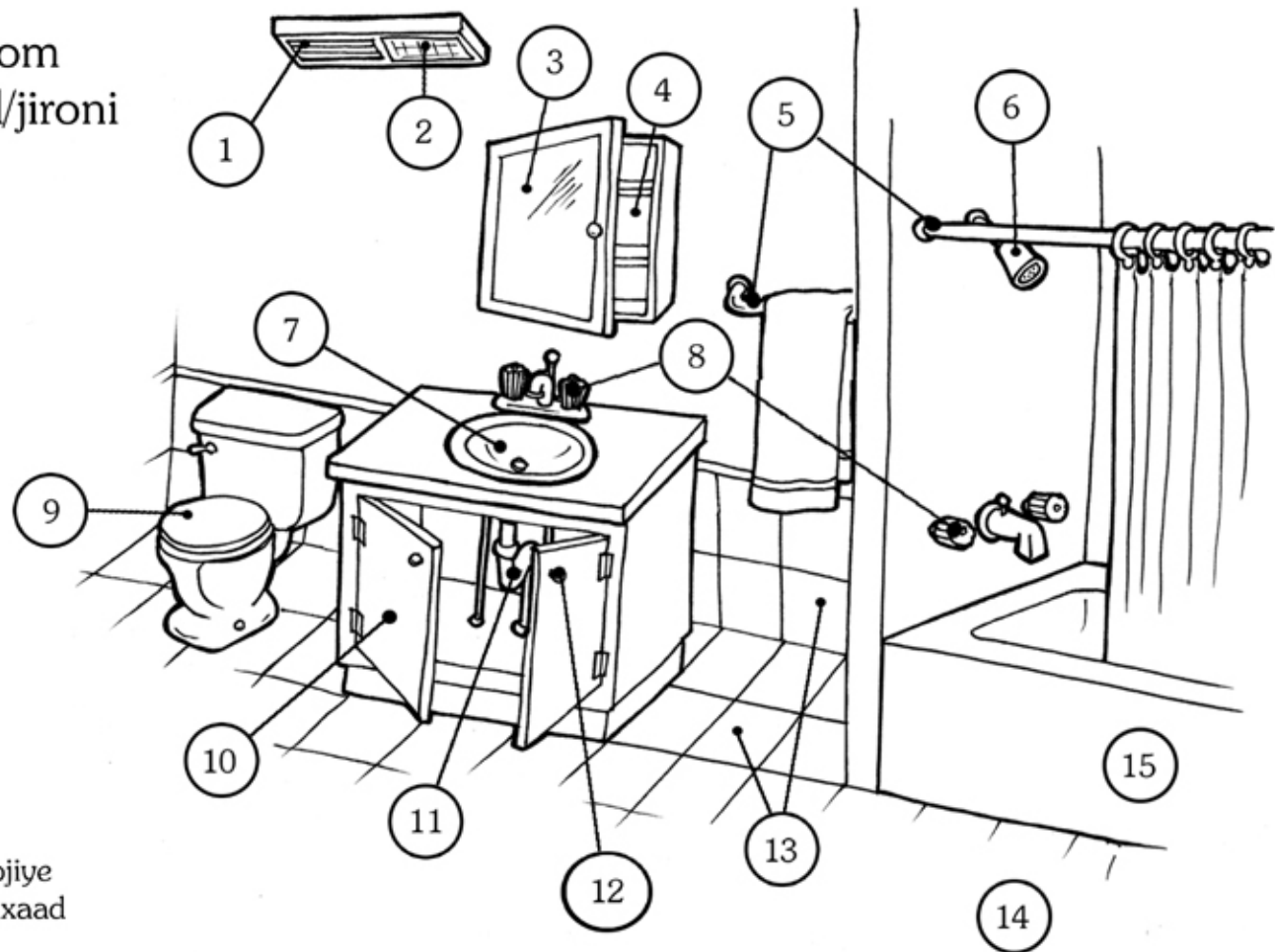
Noisy
Khayli

Stain
Mirir

Water stain
Biyo merirkod

Won't Work
Haleysinya

Bathroom Musqul/jironi



1 Fan
Qawoojiye
marwaxaad

2 Light
Nalki

3 Mirror
Miiraayadi

4 Cabinet
Armajad

5 Rod
Usha daaha

6 Shower
Qawos

7 Sink
Goodki mushquli

8 Faucet
Tuubo

9 Toilet
Musqul

10 Door
Armaja

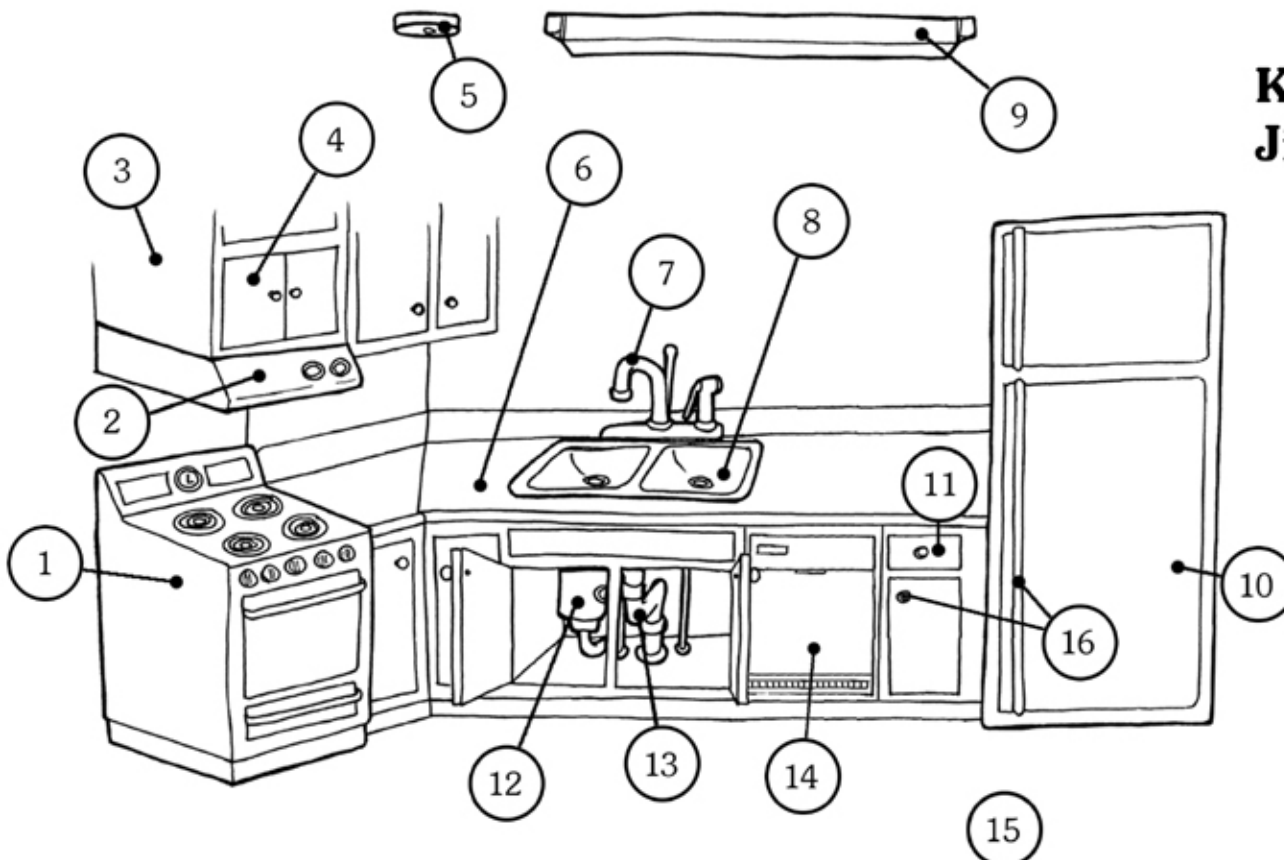
11 Pipe
Tubadi

12 Handle
Gaan

13 Tile
Shaamito

14 Floor
Shameedo

15 Tub
Tubo



Kitchen
Jikoodhi/jika

- Leak
Deedisha
- Missing
Maqanya
- Bad Smell
Uur badan
- Broken
Huunya jebenya
- Dirty
Miski wasaqi ama
warti wasaq, ee
- Hole
God
- Mold
Ara'ara
- Noisy
Khayli
- Stain
Mirir
- Water stain
Biyo Mirirkod
- Won't Work
Haleysinya

- | | | | | | |
|----------------------------|---------------------------------|---------------------------|--------------------------------|------------------------------|-------------------|
| 1 Stove
Jiko | 4 Door
Ereed | 7 Faucet
Tuubo | 10 Refrigerator
Firindijeer | 13 Pipe
Tubadi | 16 Handle
Gaan |
| 2 Exhaust fan
Qawoojiye | 5 Smoke alarm
Makinadi uunki | 8 Sink
Goodki mushquli | 11 Drawer
Qanad | 14 Dishwasher
Nahaas dhag | |
| 3 Cabinet
Armajad | 6 Countertop
Miska jikoda | 9 Light
Nalki | 12 Disposal
Wasak jiid | 15 Floor
Shameedo | |

Repair
Request

Resident's name: _____
Date: _____ Unit: _____ Phone: _____

Maintenance Request #: _____

Bad Smell
Uur badan

Broken
Huunya
jebenya

Dirty
Miski wasaqi ama
warti wasaq, ee

Hole
God

Leak
Deedisha

Missing
Maqanya

Mold
Ara'ara

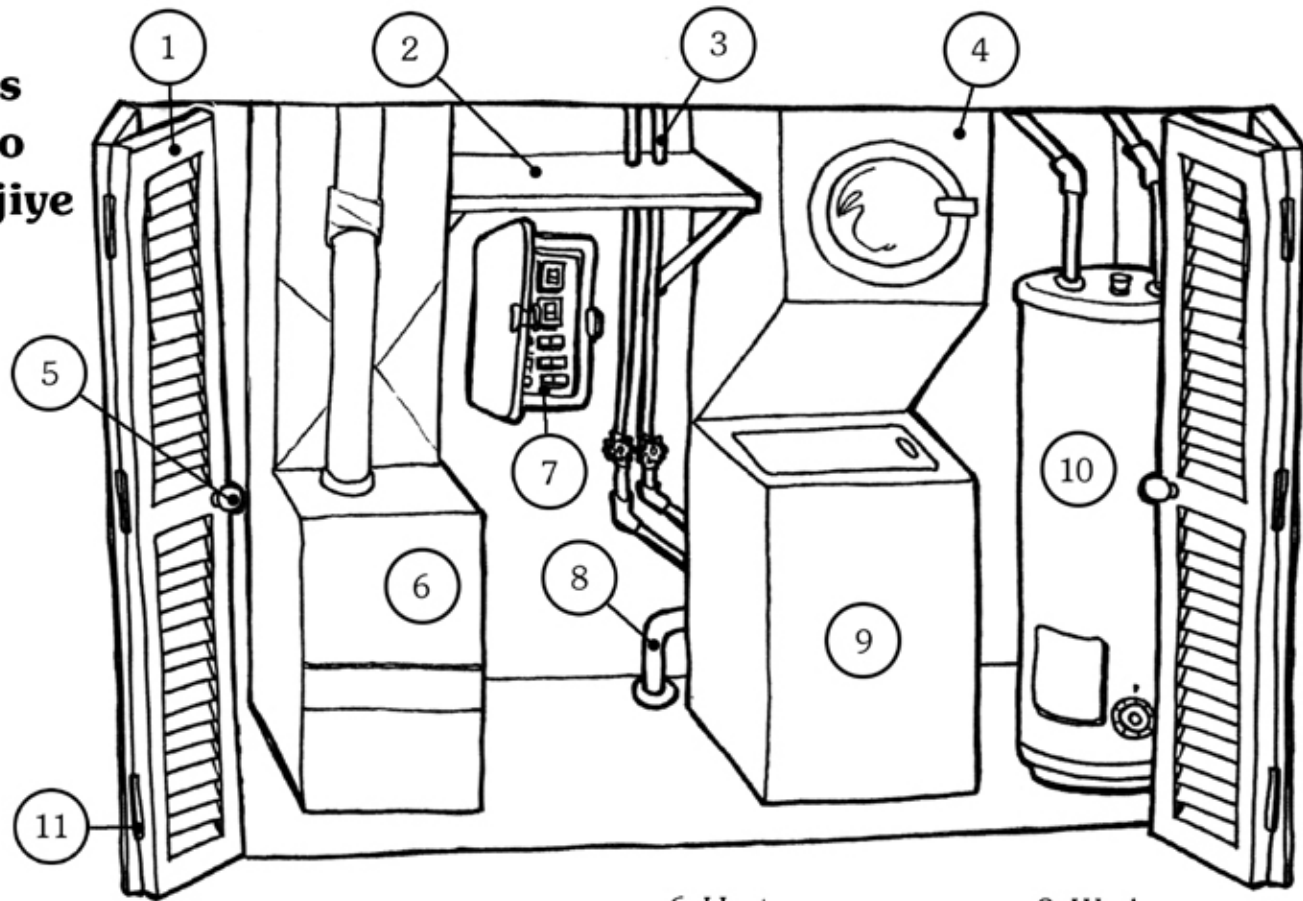
Noisy
Khayli

Stain
Mirir

Water stain
Biyo Mirirkod

Won't Work
Haleysinya

Utilities Koronto /qaboojiye



1 Door
Ereed

2 Shelf
Qanad

3 Pipe
Tubadi

4 Dryer
En jejin

5 Handle
Gaan

6 Heater
Kuleyliso

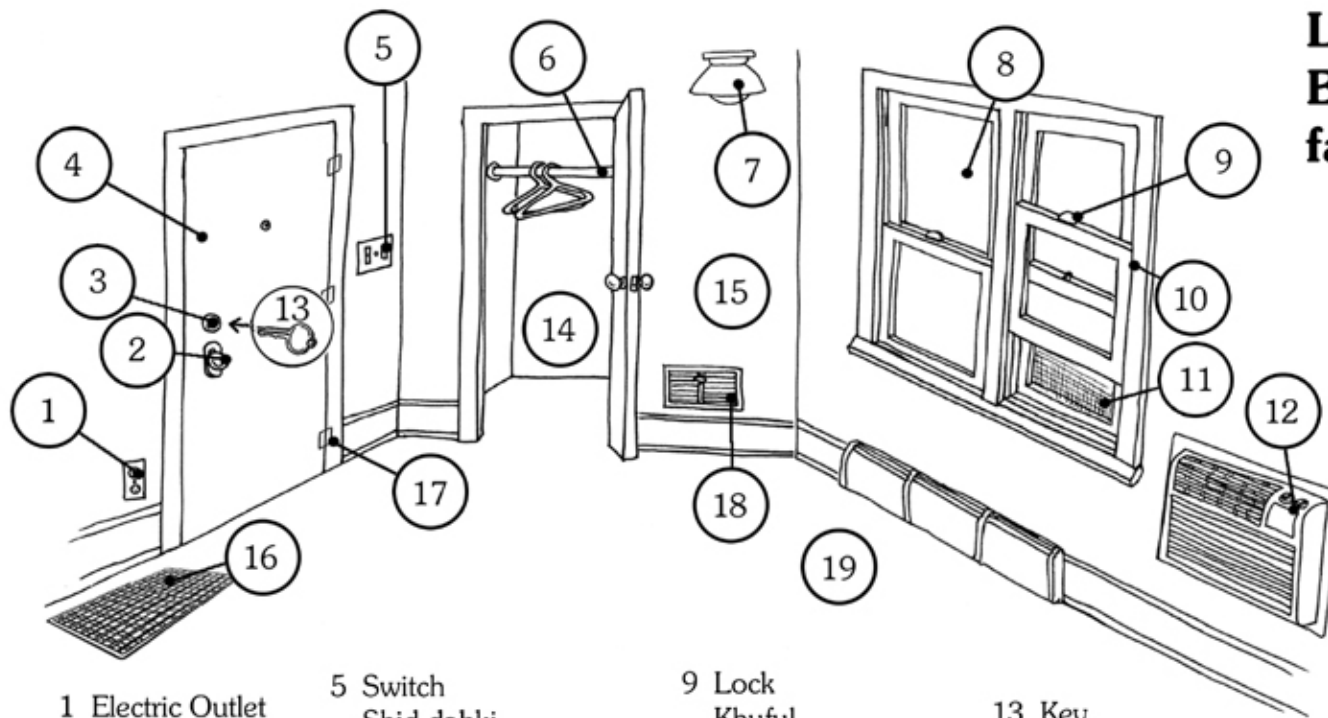
7 Electric Panel
qeebtu oo
korontodha
kajaarta

8 Hose
Tubo qawes

9 Washer
Daar daaqe

10 Water Heater
Biyo Kuleeye

11 Hinge
biirto albaabka iyo
derbeega iskihirasa



Living Areas Barsaad/qoolki faadhiga

Leak
Deedisha

Missing
Maqanya

Bad Smell
Uur badan

Mold
Ara'ara

Broken
Huunya jebenya

Noisy
Khayli

Dirty
Miski wasaqi ama
warti wasaq, ee

Stain
Mirir

Hole
God

Water stain
Biyo Mirirkod

Won't Work
Haleysinya

1 Electric Outlet
Meelli dabki
lakusuraw

5 Switch
Shid dabki

9 Lock
Khuful

13 Key
Fura

2 Handle
Gaan

6 Rod
Usha darka
lasura

10 Window
Darisha

14 Closet
Armaja

17 Hinge
biirto albaabka iyo
derbeega iskihirasa

3 Lock
Khuful

7 Light
Nalki

11 Screen
Daarishaad

15 Wall
Derbi

18 Grille
Hawo sheen

4 Door
Ereed

8 Glass
Miraya ama bakeri

12 Heater/Cooler
Kuleyliso/

16 Grille
Hawo sheen

19 Carpet/Floor
Makeeka/Shameedo

Repair Request

Resident's name: _____

Maintenance Request #:

Date: _____ Unit: _____ Phone: _____

Maay Maay

Bad Smell
Uur badan

Broken
Huunya jebenya

Dirty
Miski wasaqi ama
warti wasaq, ee

Hole
God

Leak
Deedisha

Missing
Maqanya

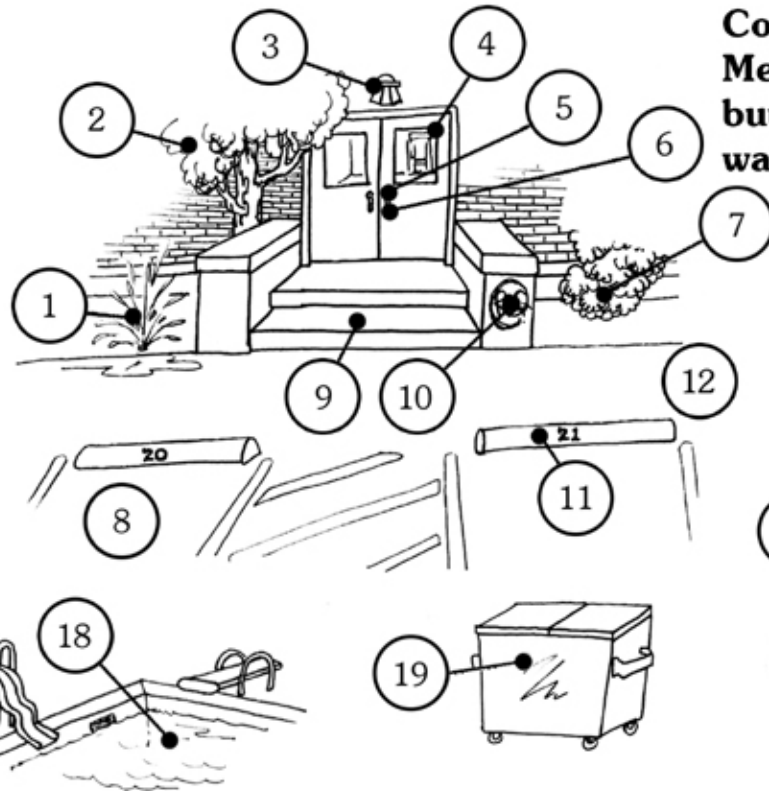
Mold
Ara'ara

Noisy
Khayli

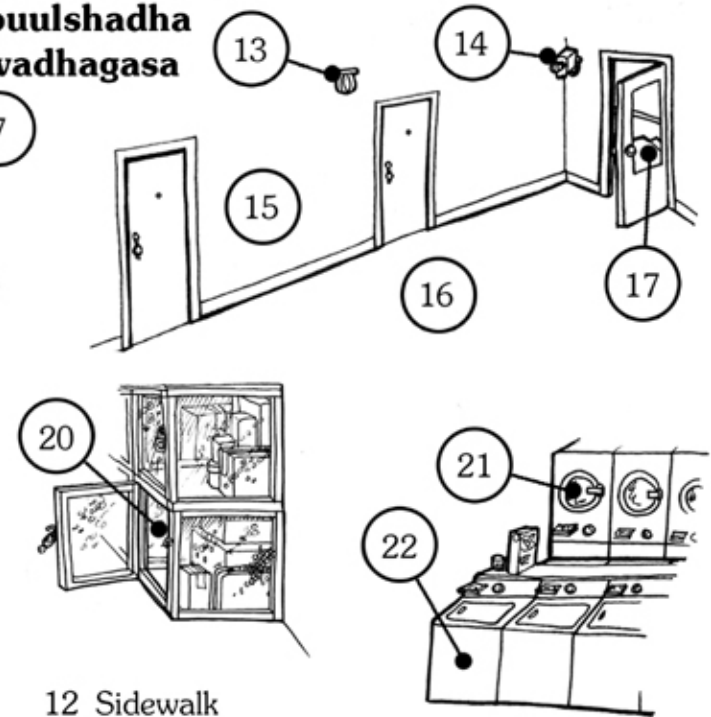
Stain
Mirir

Water stain
Biyo Mirirkod

Won't Work
Haleysinya



Common Areas
Meelu/goobtu
buulshadha
wadhagasa



1 Sprinkler
Bilbil

2 Tree
Geed

3 Light
Nalki

4 Door
Ereed

5 Lock
Khuful

6 Handle
Gaan

7 Plants
Geedo

8 Pavement
Jirjirki

9 Stair
Jaranjara

10 Graffiti
Meeli sarinbosarimbogi

11 Parking dividers
Meeli-baburki ladhigaw

12 Sidewalk
Jirjirki kibandareero

13 Light
Nalki

14 Security camera
Sawarka badbadidi

15 Hallway
Barhad

16 Carpet
Makeeka

17 Stair
Jaranjara

18 Swimming pool
Warti dawalki

19 Dumpster
Biibki qashanki

20 Storage Unit
Qolka
maqaasanka

21 Dryer
En jejin

22 Washer
Daar daaqe