

Nyamuneka sana...!"



Mercy Housing

English

Intangiriro no gushimira

Igice cyo kuba umukodeshwa mwiza ni ukubasha kumenyesha mu buryo bwiza nyir'inzu ibikeneye gusanwa mu nzu urimo gukodesha. Mu buryo nk'ubwo, kuba nyir'inzu mwiza cyangwa nyir'umutungo ukodeshwa ni ugusobanukirwa ibikeneye gusanwa ku nzu bakodesha. Umushinga wo Gutuza Impunzi wateguye iki gitabo cyerekana uburyo bwo gusana amazu kugira ngo ufashe impunzi n'abandi bakodesha bavuga icyongereza gike cyane kumenyesha ba nyir'amazu ibyifuzo byabo byo gusanirwa amazu.

Intego yacu ni ugutanga iki gitabo gikubiyemo ibirebana no gusana ku batanga serivise bakorana n'abimukira. Usibye gutanga iyi nyandiko mu bigo bishinzwe kwimura no gutuza impunzi, amashyirahamwe atanga ubufasha, n'ibindi bigo byihariye bitanga serivisi, turizera kandi kugeza iyi nyandiko ku bafite amazu akodeshwa.

Aka gatabo kaboneka ku buntu kuri www.refugeehouse.org (*icyitonderwa ku busemuzi: uru rubuga ntabwo rugikora*) ukanze kuri Resources hanyuma ukajya ku gicye cya Publications (Inyandiko zasohotse).

Abafatanyabikorwa nyamukuru muri uyu mushinga ni Carol Kimball, Umuhanzi; Scott Robins, Umuyobozi w'Umushinga wo Gutuza Impunzi; David Still, Umugenzuzi Ushinzwe Gusana Amazu muri Mercy Housing; Jennifer Gueddiche, Umuyobozi wa African Community Center Program; na Joseph Thompson, Umuyobozi Ushinzwe Ibikorwa by'Imitungo muri Mercy Housing.

Turashimira serivisi yo guhindura inyandiko yakozwe na Interpreter Network of Colorado Springs Institute, hamwe n'ubufasha bwa Mr. Rasulo Rasulo ku bwo guhindura aka gatabo kose muri maay maay.

Ukeneye ibisobanuro birambuye ku byerekeye Umushinga wo Gutuza Impunzi, nyamuneka hamagara Mercy Housing, Inc. 1999 Broadway, Suite 1000, Denver CO 80202, telefoni 303-830-3300.

Iyi nyandiko ni iya Technical Assistance Project ya Serivisi Zishinzwe Gutuza Impunzi, Uruhushya Nomero 90RB0015. Uru ruhushya rwahawe Mercy Housing, Inc. rutangwa n'ibiro bishinzwe Kwimura no Gutuza Impunzi (ORR), Ishami rya Leta Zunze Ubumwe za Amerika rishinzwe Ubuzima na Serivisi z'Abaturage. Ibitekerezo byatanzwe hano byerekana ibya ORR.



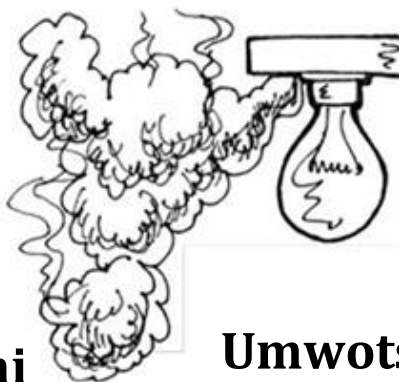
Mercy Housing

Bimenyeshe ako kanya!!!



Ibishashi

Hamagara 911!



Umwotsi

Hamagara 911!



Inkongi

**Hamagara
911!**



Kuva

Ikizinga cy'amazi



**Hamagara
nyir'inzu!**

Hamagara: _____



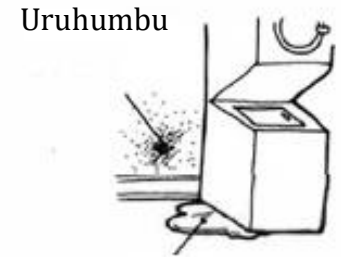
Ikizinga cy'amazi



Ntigikora



Guterwa n'udukoko



Uruhumbu

Kuva



Ubukonje bwinshi



Ubushyuhe bwinshi

Urubura



Ibishashi



Umwotsi



Umwanda

Igikoresho gikuraho urubura



Urutsinga Rwacitse Hamagara 911!

Hamagara 911!

Hamagara 911!

Inkongi



Hamagara 911!

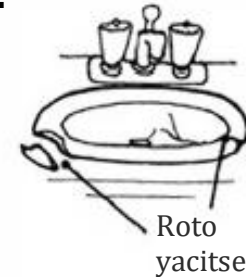


Impumuro mbi



Urusaku rwinshi

Kirabura



Roto yacitse



Ikizinga



Umwobo

Ubusabe bwo

Gusana:

Izina ry'Ukodesha:

Ubusabe bwo Gusana#:

Itariki: _____

Inzu: _____

Telefoni #: _____

Kinyarwanda

Impumuro mbi

Ubwogero

Cyacitse

Umwanda

Umwobo

Ikizinga

Kirabura

Uruhumbu

Urusaku
rwinshi

Ikizinga

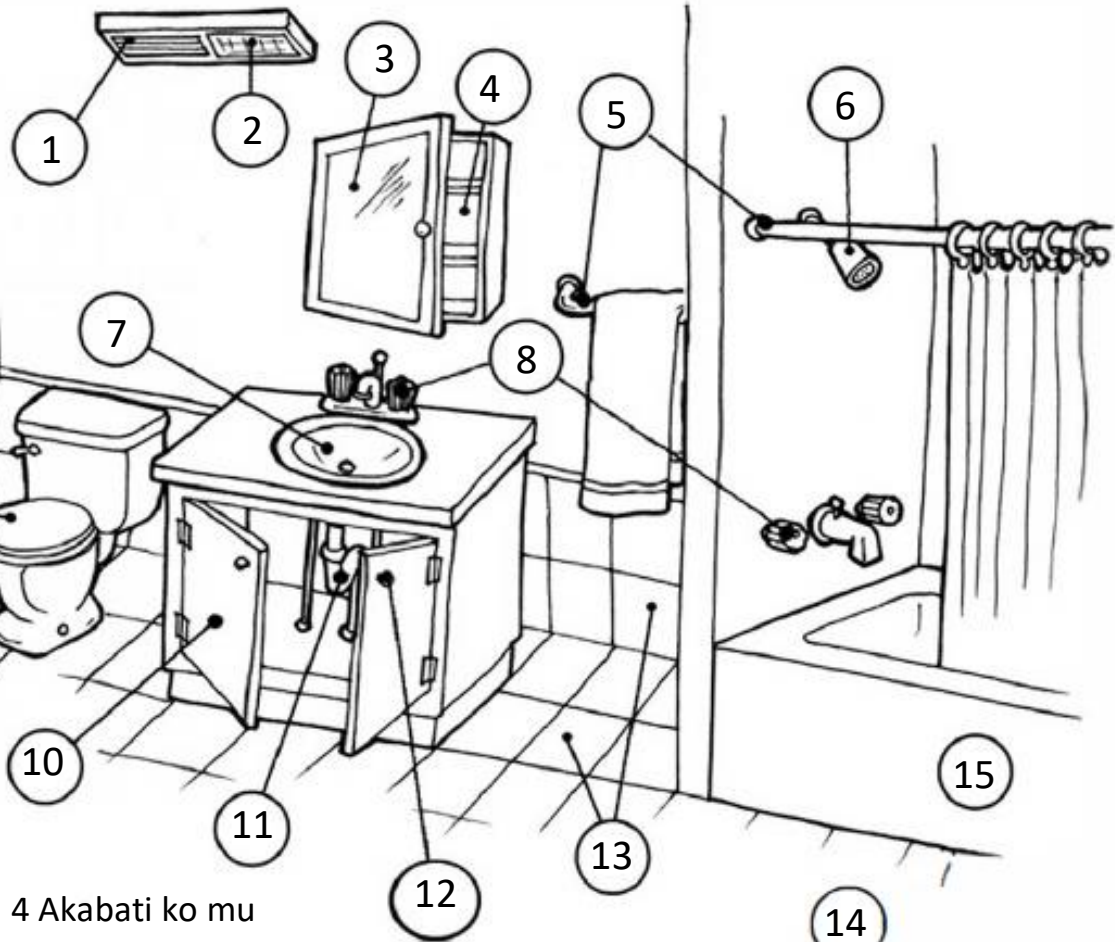
Ikizinga cy'amazi

Ntigikora

1 Akuma
kazana
ubukonje

2 Itara

3 Ikirori



4 Akabati ko mu
gikoni

5 Inkoni yo
kumanikaho
ibitambaro

6 Akuma kamanura
amazi yo koga

7 Ravabo

8 Robine

9 Ubwiherero

10 Urugi

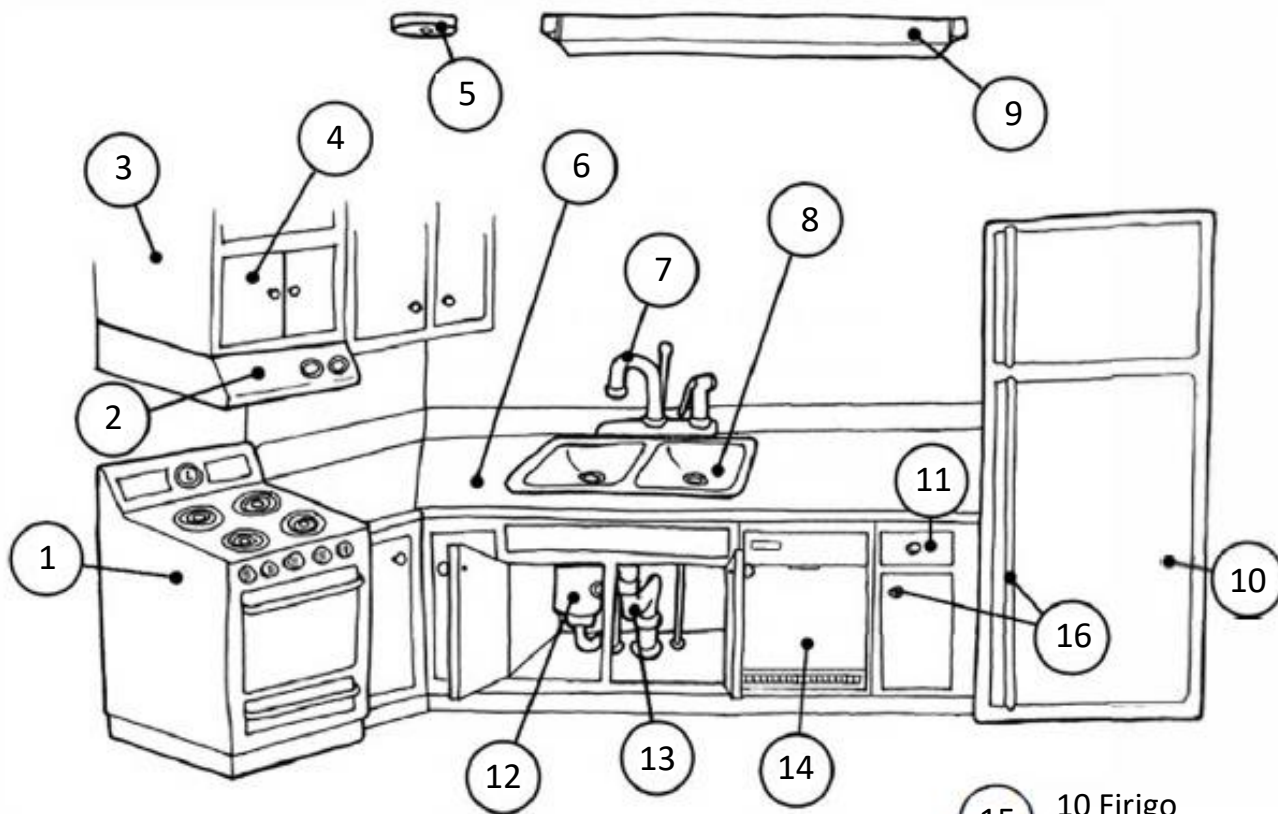
11 Impombo
y'amazi

12 Ikare
bafunguza urugi

13 Ikaro

14 Hasi

15 Urukarabiro



Igikoni

Ikizinga

Kirabura

Impumuro mbi

Uruhumbu

Cyacitse

Urusaku rwinshi

Umwanda

Ikizinga

Umwobo

Ikizinga cy'amazi

Ntigikora

1 Ishyiga

2 Akuma kuburizamo
ubushyuhe bw'igikoni

3 Akabati ko mu gikoni

4 Urugi

5 Intabaza
y'umwotsi

6 Imeza yo mu
Gikoni

7 Robine

8 Ravabo

9 Itara

10 Firigo

11 Akabati gato

12 Akagega kanyuramo
imyanda ya ravabo

13 Impombo
y'amazi

14 Imashini
yoza
amasahani

15 Hasi

16 Ikare
bafunguza urugi

**Ubusabe
bwo Gusana:**

Izina

ry'Ukodesha: _____

Ubusabe bwo Gusana#: _____

Itariki: _____

Inzu: _____

Telefoni #: _____

Kinyarwanda

Impumuro mbi

Cyagitse

Ibikoresho

Umwanda

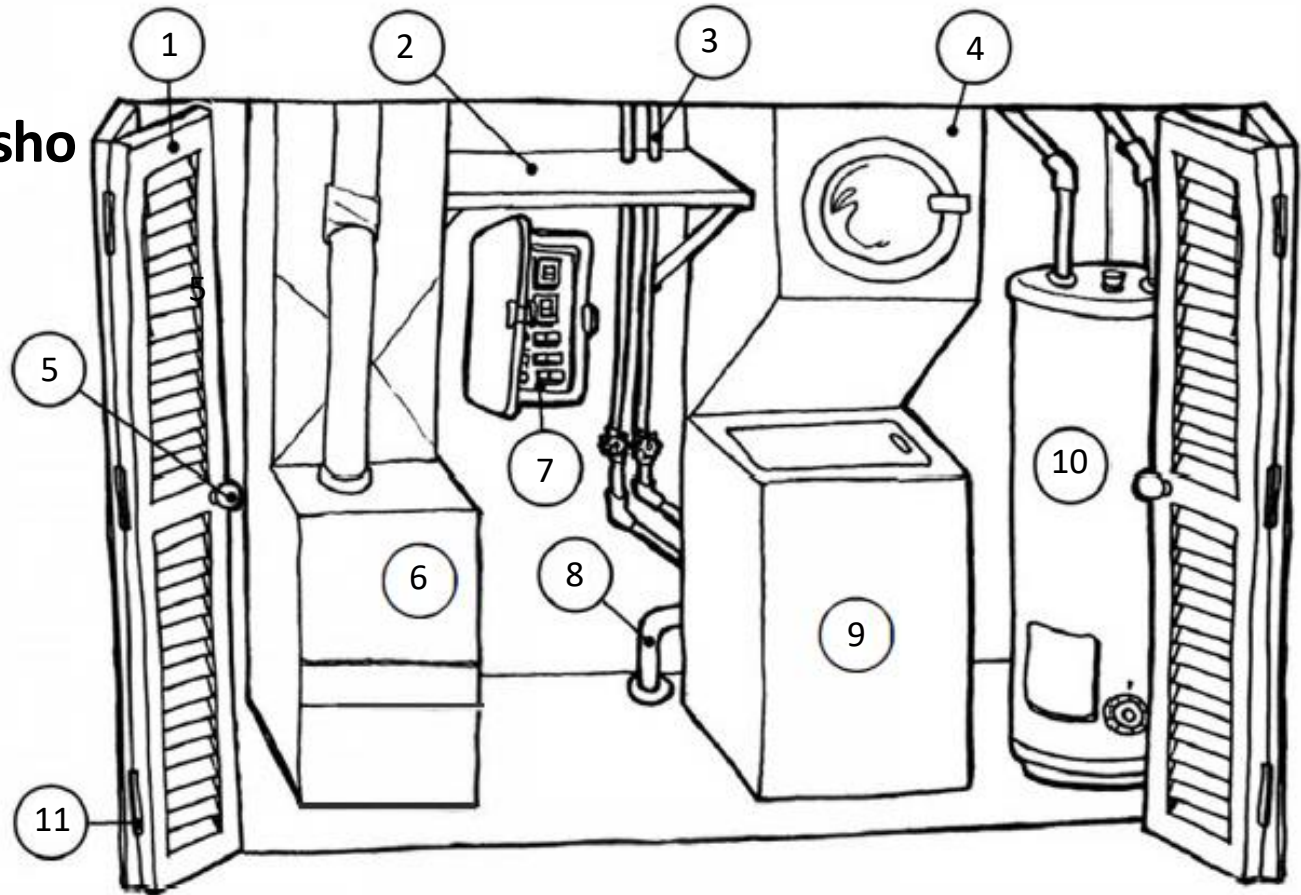
Umwobo

Kuva

Kirabura

Uruhumbu

Urusaku rwinshi



Ikizinga

Ikizinga
cy'amazi

Ntigikora

1 Urugi

2 Agatajeri

3 Impombo
y'amazi

4 Imashini
yumisha

5 Ikare
bafunguza
urugi

6 Imashini itanga
ubushyuhe

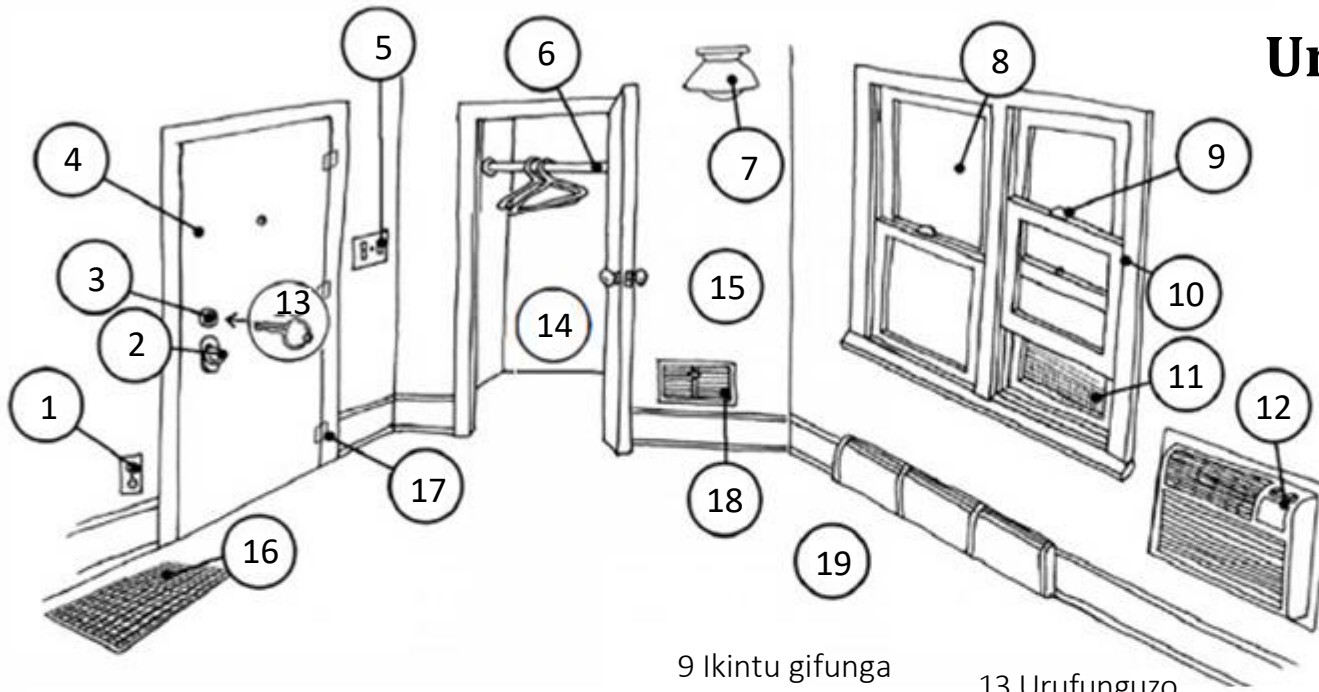
7 Ahahurira
insinga

8. Itiyo isohora
amazi

9 Imashini imesa

10 Imashini ishyushya
amazi

11 Ipata ry'urugi



Uruganiriro

Ikizinga

Kirabura

Impumuro mbi

Uruhumbu

Cyacitse

Urusaku rwinshi

Umwanda

Ikizinga

Umwobo

Ikizinga cy'amazi

Ntigikora

9 Ikintu gifunga

13 Urufunguzo

1 Aho bacomeka
ku muriro
2 Ikare bafunguza
urugi

5 Aho kwakiriza
itara
6 Inkoni
bamanikaho

10 Idirishya

14 Akabati

17 Ipata ry'urugi

3 Ikintu gifunga

7 Itara

15 Igikuta

18 Giryaje

4 Urugi

8 Ikirahuri

12 Igitanga
ubushyuhe/ubukonje

16 Giryaje

19 Itapi/Hasi

**Ubusabe
bwo Gusana**

Izina
ry'ukodesha

Ubusabe bwo Gusana#:

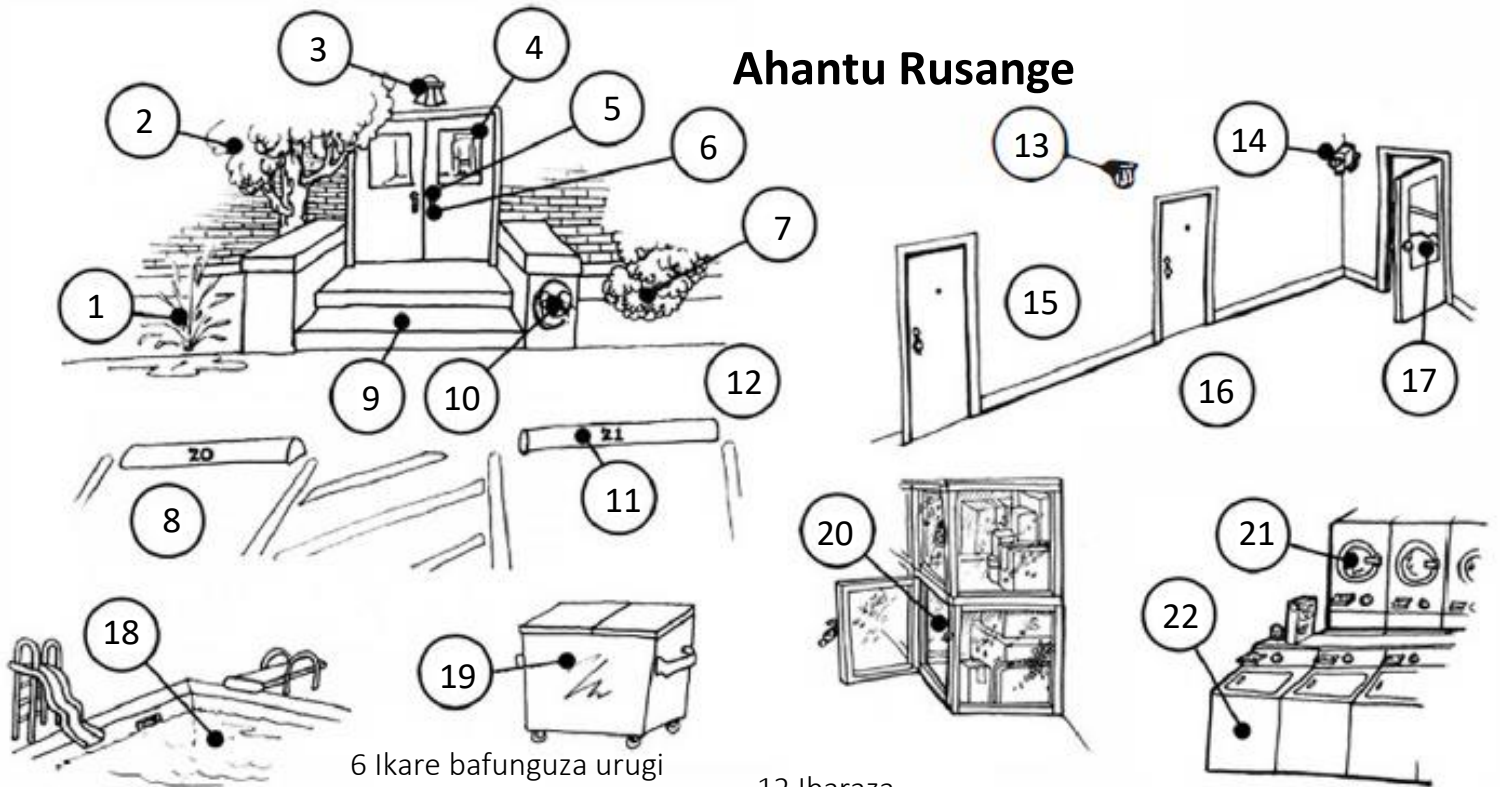
Itariki: _____

Inzu: _____

Telefoni # _____

Ikinyarwanda

Ahantu Rusange



Impumuro mbi

Cyagitse

Umwanda

Umwobo

Ikizinga

Kirabura

Uruhumbu

Urusaku rwinshi

Ikizinga

Ikizinga cy'amazi

Ntigikora

1 Imashini yuhira
ubusitani

2 Igiti

3 Itara

4 Urugi

5 Ikintu gifunga

7 Ibihingwa

8 Pavement

9 Ingazi

10 Ibishushanyo

11 Parikingi

6 Ikare bafunguza urugi

12 Ibaraza

13 Itara

14 Kamera y'umutekano

15 Korodoro

16 Itapi

17 Ingazi

18 Pisine

19 icyo batamo
imyanda

20 Aho babika ibintu

21 Imashini yumisha

22 Imashini imesa